

myProbes Passport (RUO Probes)

MPH0290	COL1A1/PDGFB Dual Fusion Probe <i>For Research Use Only</i>
----------------	---

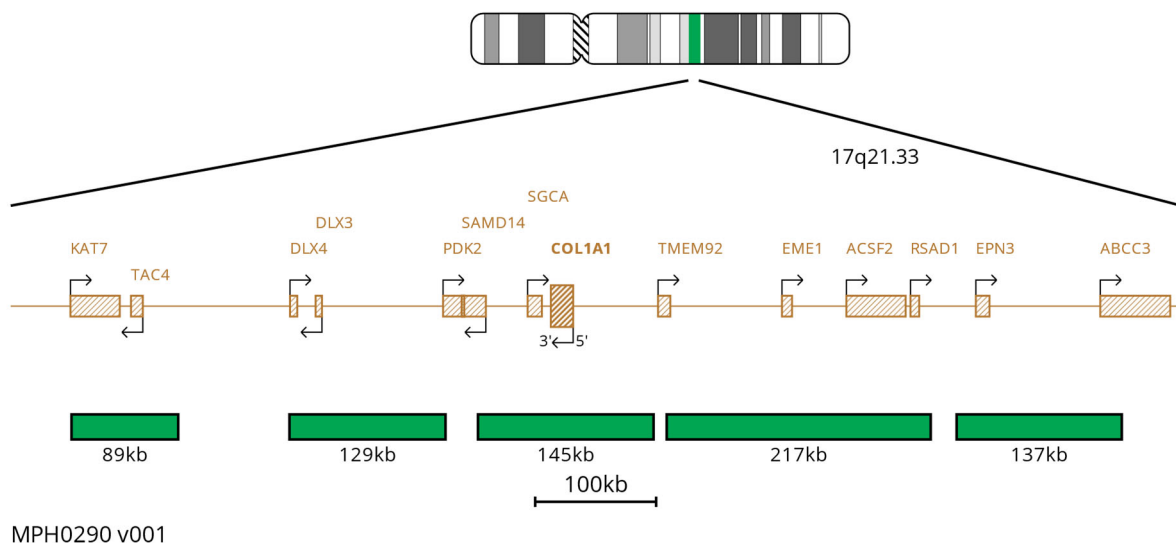
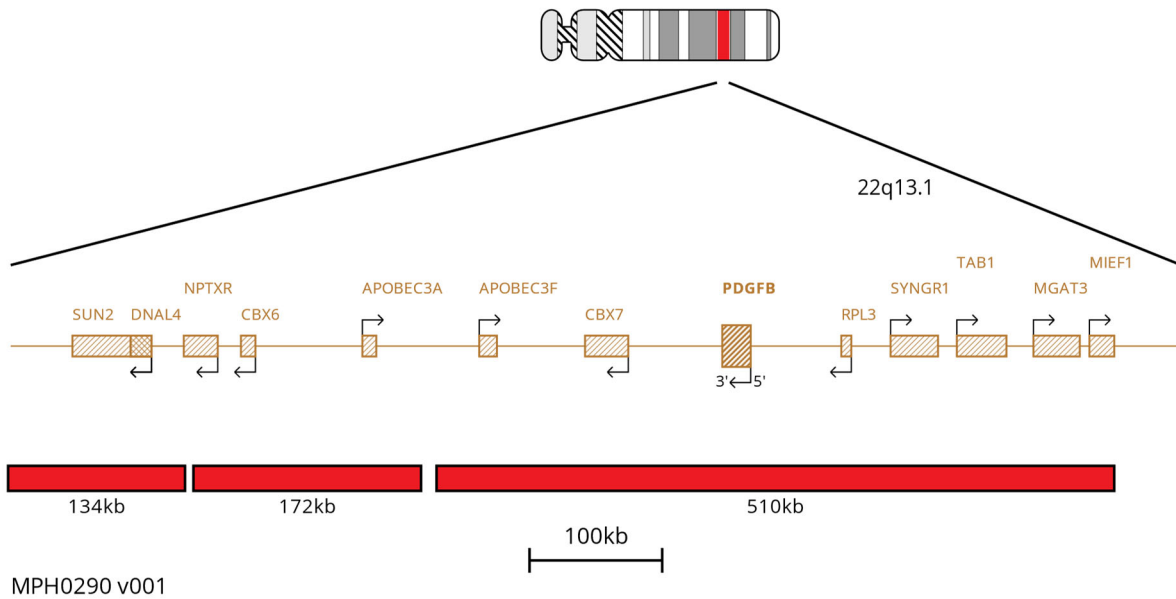
Nucleotide Locations (If requesting more than one probe please specify individual probe colours)

	Chromosome Locus	Start	End	Colour
1	22q13.1	39082343	39216099	Red
2	22q13.1	39221712	39393663	Red
3	22q13.1	39404530	39610004	Red
4	22q13.1	39578130	39751147	Red
5	22q13.1	39747507	39914565	Red
6	17q21.33	47866820	47955466	Green
7	17q21.33	48045869	48175101	Green
8	17q21.33	48200777	48345315	Green
9	17q21.33	48355854	48470227	Green
10	17q21.33	48431566	48572901	Green
11	17q21.33	48594092	48730643	Green

Database used and Version

GRCh37 (hg19)

Probe Map



Materials Provided

- Probe:** 100 µl per vial
 The probe is provided pre-mixed in hybridisation solution (Formamide; Dextran Sulphate; SSC) and is ready to use. It is directly labelled with a red fluorophore, which lies in the Texas Red Spectrum and a green fluorophore, which lies in the FITC Spectrum. The probe has been batch released after QC testing on Bone Marrow Sample.
- Counterstain:** 150 µl per vial. The counterstain is DAPI antifade (ES: 0.125µg/ml DAPI (4,6-diamidino-2-phenylindole)).

Warnings and Precautions

1. For research use only. Not for use in diagnostic procedures.
2. For laboratory professional use only.
3. Probe mixtures contain formamide, which is a teratogen; do not breathe fumes or allow skin contact. Handle with care; wear gloves and a lab coat.
4. DAPI is a potential carcinogen. Handle with care; wear gloves and a lab coat.
5. Follow local disposal regulations for your location along with recommendations in the Safety Data Sheet to determine the safe disposal of this product. This also applies to damaged test kit contents.
6. Dispose of all used reagents and any other contaminated disposable materials following procedures for infectious or potentially infectious waste. It is the responsibility of each laboratory to handle solid and liquid waste according to their nature and degree of hazard and to treat and dispose of them (or have them treated and disposed of) in accordance with any applicable regulations.
7. Operators must be capable of distinguishing the colours red, blue, and green.
8. The probe should not be diluted or mixed with other probes.
9. All products should be validated before use.
10. Internal controls should be carried out by using unaffected cell populations in testing samples.
11. Custom probes are specifically developed for individual customers' RESEARCH USE ONLY (RUO) requirements and not with the intention of being used for in vitro diagnostic examination. Therefore, prior to any use of these probes, users should review the design of such probes to confirm they are suitable for their requirements.

Storage and Handling

1. Store the probe between -25°C to -15°C.
2. Based on the stability established for other substantially equivalent CytoCell probes, this myProbes product should be stable for 2 years post manufacture date when stored as indicated on the label.
3. Store the probe and counterstain vials in the dark. Ensure that exposure of the probe and counterstain to laboratory lights is limited at all times.

Known Cross-Reactivity

No cross hybridisation observed at QC release on the sample type specified.

Customer Support

Please contact the CytoCell Technical Support Department or email probes@cytoCELL.com.

Patents and Trademarks

myProbes and CytoCell are registered trademarks of CytoCell Ltd.

For Research Use Only. Not for use in diagnostic procedures.

This product contains technology licensed from Life Technologies Corporation that is available for human diagnostics or life science research use only.



A Sysmex Group Company

CytoCell Ltd.

Oxford Gene Technology
418 Cambridge Science Park,
Milton Road,
Cambridge, CB4 0PZ, UK
T: +44(0)1223 294048
F: +44(0)1223 294986
E: probes@cytoCell.com
W: www.ogt.com

